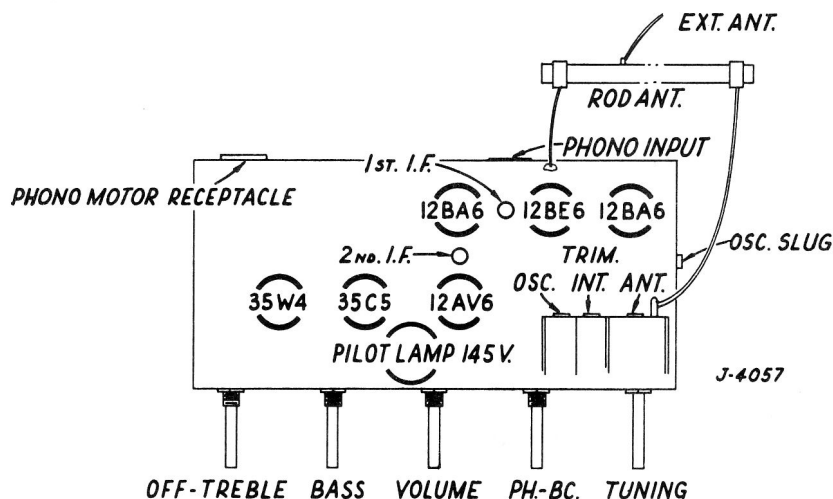
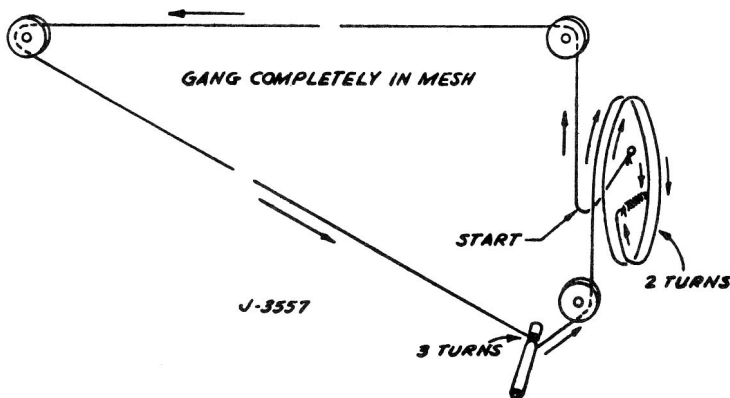


VIKING Service Information for MODEL RC-288

6 Tube, 1 Band



SPEAKER LEADS
 GREEN-GREEN DOT ON 10" SPEAKER
 BLACK-BLACK DOT ON 10" SPEAKER
 BLUE-GREEN DOT ON 3 1/2" SPEAKER
 BLACK-BLACK DOT ON 3 1/2" SPEAKER
 JUMPER-BLACK DOT ON 3 1/2" SPEAKER TO
 GREEN DOT ON 3 1/2" SPEAKER



STRINGING DETAIL

For Operation on 110-120 Volts A.C. — Cycle as listed on License Plate.

SPECIFICATIONS

Standard Broadcast Range.....	540 Kc. — 1650 Kc.
Intermediate Frequency	455 Kc.
Power Consumption (Radio Only).....	22 Watts
Power Consumption (Radio and Phono)	31 Watts
Undistorted Output75 Watts
Maximum Power Output.....	1.5 Watts

When writing for Service Information or Parts please quote Model Number, Serial Number and finish of cabinet.

**FOR ALIGNMENT AND SENSITIVITY DATA
 SEE SCHEMATIC**

SERVICE REPLACEMENT PARTS LIST

CHASSIS

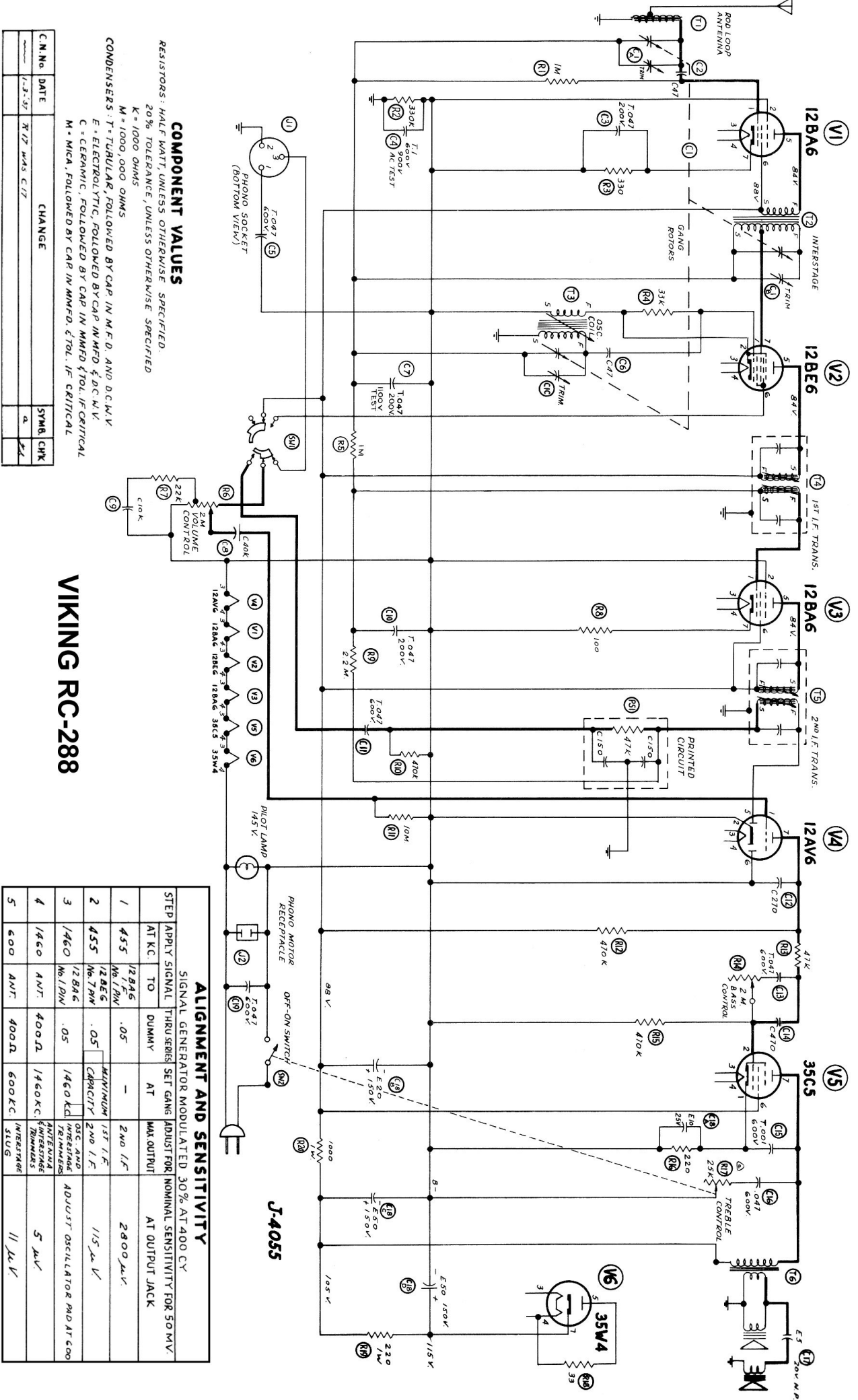
A-4041.....	Glass Dial Scale
B-4123-7.....	Drive Shaft
G-596-1.....	4 Section Electrolytic, 50 ufd x 150 V., 50 ufd x 150V, 20 ufd x 150 V., 10 ufd x 25V.
G-604-1.....	Single Electrolytic Non Polarized 5 ufd. x 20V. A.C.
K-1133.....	Pilot Lamp 145 V.
K-1394.....	Filpec (Printed Circuit)
LK-633-1.....	Output Transformer
MP-1204-38.....	Pointer and Slider Assembly
P-2356-1.....	B.C. Interstage Coil
P-2876-2.....	Oscillator Coil
P-2923.....	I.F. Transformer (1st and 2nd)
P-3025-1.....	Rod Antenna Assembly
Q-299-6.....	Phono — BC Switch
R-465-2.....	Volume Control (tapped)
R-473-2.....	Bass Tone Control
R-474-1.....	Treble Control with AC-Off-On Switch
V-373-1.....	Gang Condenser

INSTALLATION

C-1065.....	Escutcheon
K-1521.....	10" PM Speaker
K-1633.....	3 1/2" PM Speaker
N-522-2.....	Knobs

AUTOMATIC RECORD CHANGER

P-2960-7.....	BSR Model UA8 60 cy. Changer Complete
P-2961-7.....	BSR Model UA8 60 cy. Changer Complete
K-1751-1.....	BSR Model UA8 60 cy. Changer less Leads
K-1752-1.....	BSR Model UA8 25 cy. Changer less Leads
K-1784.....	Crystal Cartridge
LP (1 mil.)...	Replacement Stylus Astatic—N8—1J
78 (3 mil.)...	Replacement Stylus Astatic—N8—3J



COMPONENT VALUES

RESISTORS: HALF WATT, UNLESS OTHERWISE SPECIFIED.
 20% TOLERANCE, UNLESS OTHERWISE SPECIFIED.
 K = 1000 OHMS
 M = 1000,000 OHMS
 CONDENSERS: T = TUBULAR, FOLLOWED BY CAP IN M.F.D. AND D.C.M.V.
 E = ELECTROLYTIC, FOLLOWED BY CAP IN MMFD & D.C.M.V.
 C = CERAMIC, FOLLOWED BY CAP IN MMFD & TOL. IF CRITICAL
 M = MICA, FOLLOWED BY CAP IN MMFD. & TOL. IF CRITICAL

C.N. No.	DATE	CHANGE	SYMB. CHK.
1-3-'37	7/17 WAS C/7		

VIKING RC-288

ALIGNMENT AND SENSITIVITY

SIGNAL GENERATOR MODULATED 30% AT 400 CY				
STEP	APPLY SIGNAL AT KC.	THRU SERIES TO	SET GANG DUMMY AT	ADJUST FOR NOMINAL SENSITIVITY FOR 50 MV. AT OUTPUT JACK
1	455	12BA6	.05	2ND I.F.
2	455	12BE6	.05	1ST I.F.
3	1460	12BA6	.05	2ND I.F.
4	1460	AVT.	400Ω	ADJUST OSCILLATOR PAD AT 600 INTERSTAGE TUNING
5	600	AVT.	400Ω	5 μV